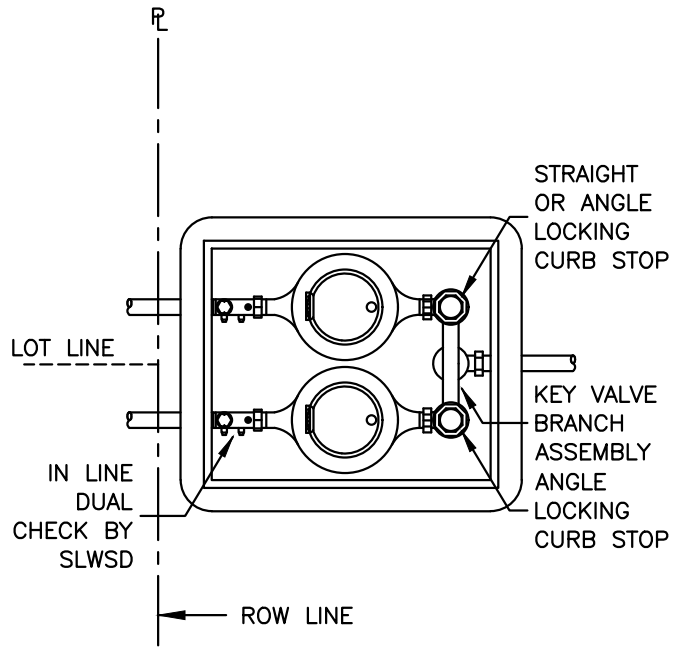
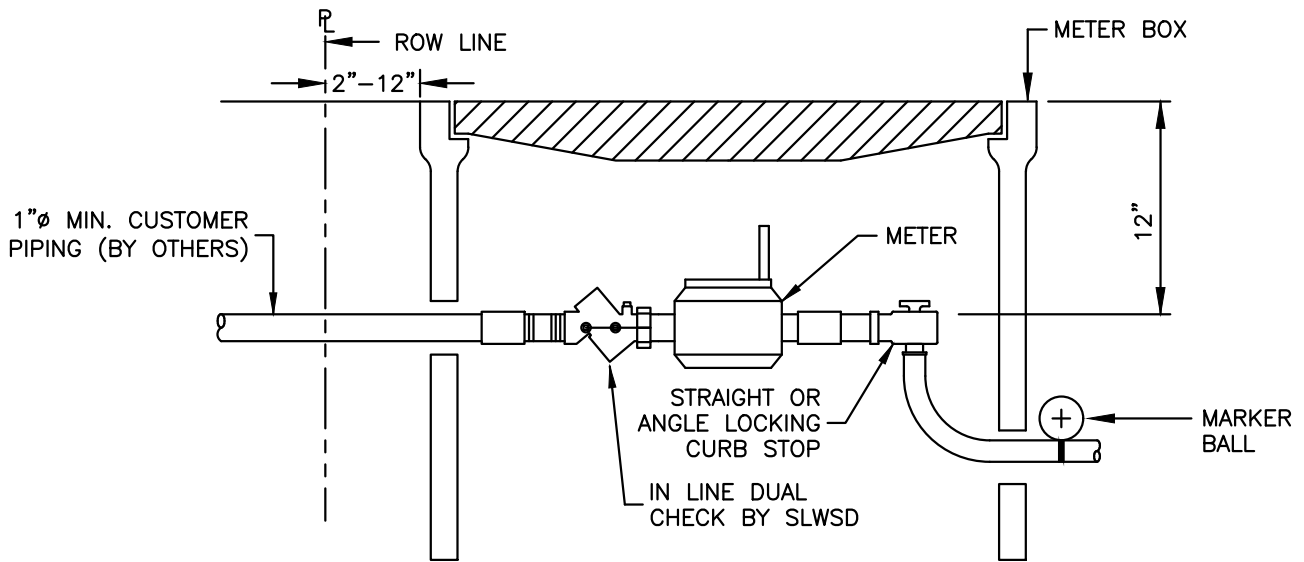


SINGLE SERVICE



DOUBLE SERVICE



NOTES:

1. METER SHALL BE PURCHASED FROM AND INSTALLED BY SLWSD.
2. LOCATE MARKER BALL WITH TIE STRAPS ARE TO BE PLACED AS SHOWN.
3. A KEY VALVE BRANCH ASSEMBLY SHALL BE PROVIDED BY CONTRACTOR FOR DOUBLE SERVICES.



**MINIMUM CONSTRUCTION STANDARDS FOR
ST. LUCIE WEST SERVICES DISTRICT
450 SW UTILITY DRIVE,
PORT SAINT LUCIE, FL 34986
PHONE: (772) 340-0220**

**RESIDENTIAL WATER SERVICE
METER DETAIL**

**DETAIL: SLW-01B
DATE: 03/2020
SCALE: N.T.S.
SHEET: 2 OF 2**