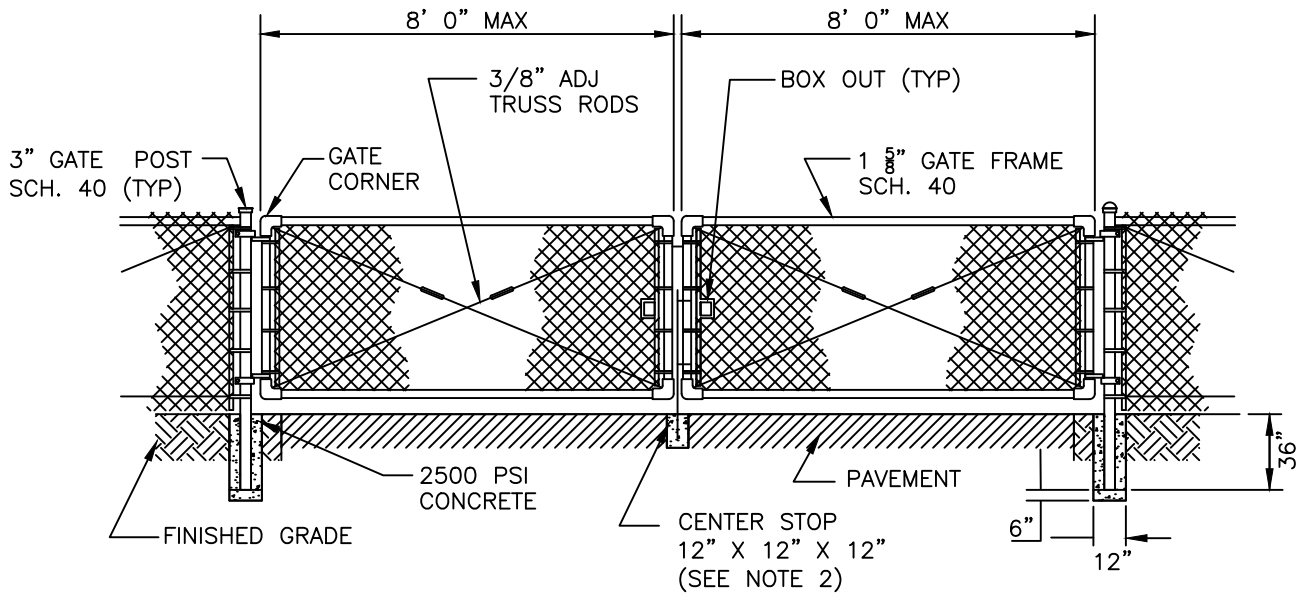


FENCE DETAIL



DOUBLE SWING GATE DETAIL

NOTES:

1. TRUSS BARS ARE REQUIRED FOR EACH GATE SECTION AND THE FIRST SPAN ON EACH SIDE OF A CORNER POST ONLY.
2. PROVIDE CHAIN AND LOCK FOR SECURING GATE.
3. FENCING AND POSTS SHALL BE BLACK, VINYL CLAD.
4. FENCE DRAWING TO BE SUBMITTED TO SLWSD FOR APPROVAL.



MINIMUM CONSTRUCTION STANDARDS FOR
ST. LUCIE WEST SERVICES DISTRICT
450 SW UTILITY DRIVE,
PORT SAINT LUCIE, FL 34986
PHONE: (772) 340-0220

CHAIN LINK FENCE

DETAIL: SLWG-16A
DATE: 03/2020
SCALE: N.T.S.
SHEET: 1 OF 2