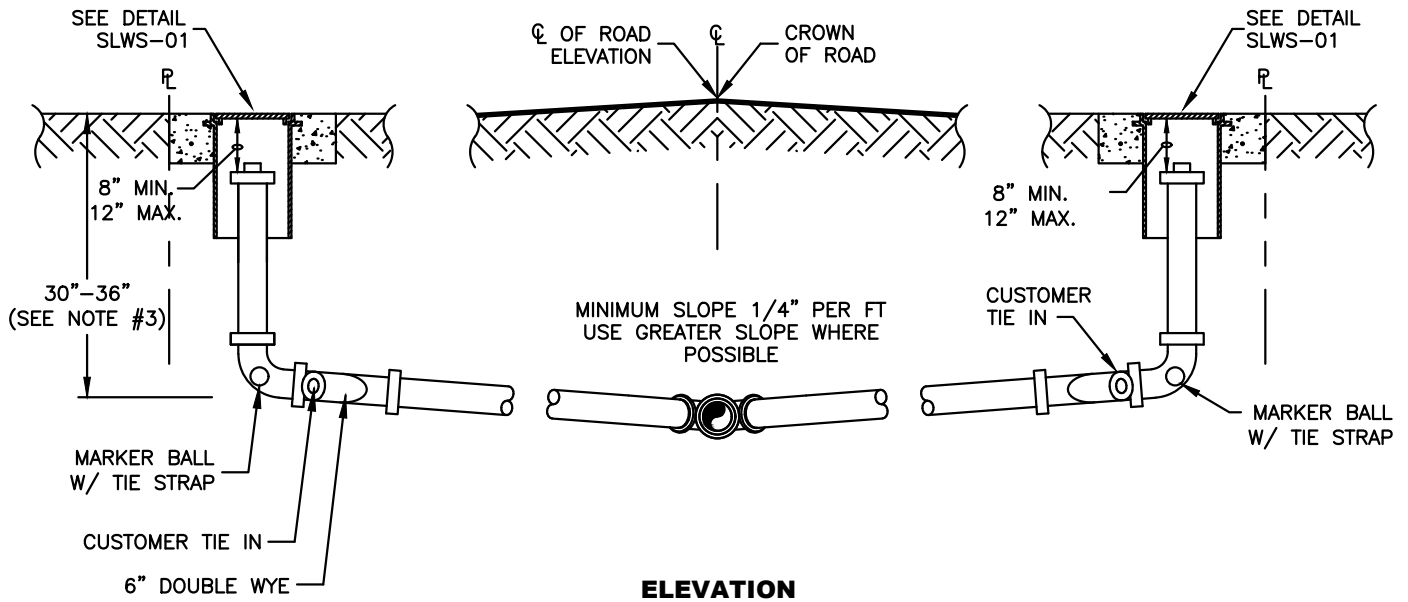


**DOUBLE SERVICE  
TYPICAL**

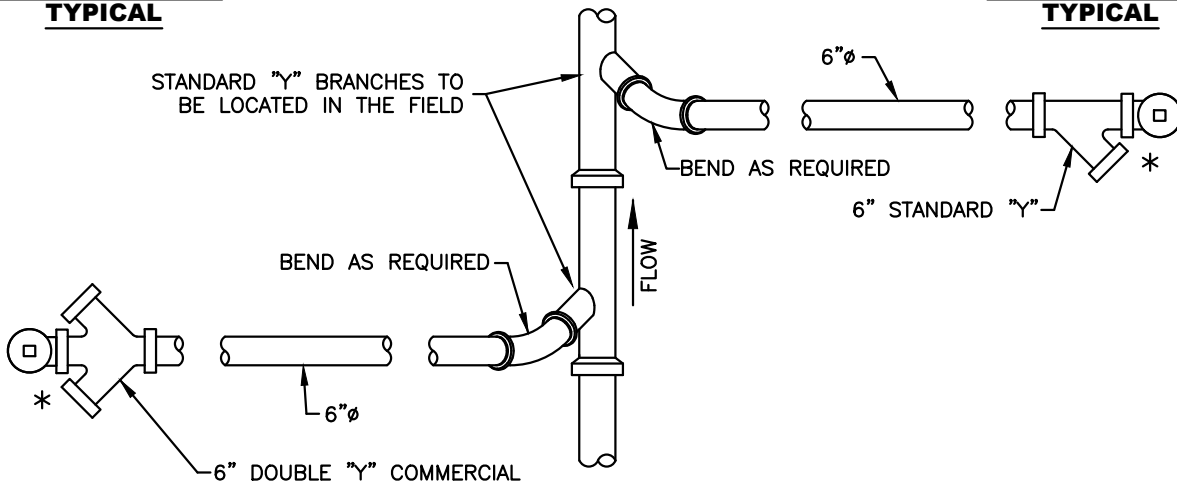
**SINGLE SERVICE  
TYPICAL**



**ELEVATION**

**DOUBLE SERVICE  
TYPICAL**

**SINGLE SERVICE  
TYPICAL**



\*SANITARY SEWER CLEANOUT BOX NOT SHOWN

**PLAN VIEW**

**NOTES:**

1. SANITARY SEWER LATERALS SHALL BE MIN. 6" IN DIAMETER.
2. ALL MATERIALS ARE TO BE PER SLWSD APPROVED QUALIFIED PRODUCT LIST.
3. THE ENGINEER OF RECORD SHALL ENSURE THAT THE PROPOSED PLUMBING STUB-OUT ELEVATION FOR EACH BUILDING WILL ALLOW FOR A GRAVITY CONNECTION TO THE SANITARY SEWER LATERAL WITH THE REQUIRED SLOPE. HORIZONTAL AND VERTICAL SEPARATION SHALL BE IN ACCORDANCE WITH SLWSD STANDARDS.(SEE SLWG-04)



**MINIMUM CONSTRUCTION STANDARDS FOR  
ST. LUCIE WEST SERVICES DISTRICT**  
450 SW UTILITY DRIVE,  
PORT SAINT LUCIE, FL 34986  
PHONE: (772) 340-0220

**SANITARY SEWER LATERAL  
(SHALLOW)**

**DETAIL: SLWS-02**

**DATE: 03/2020**

**SCALE: N.T.S.**

**SHEET: 1 OF 1**