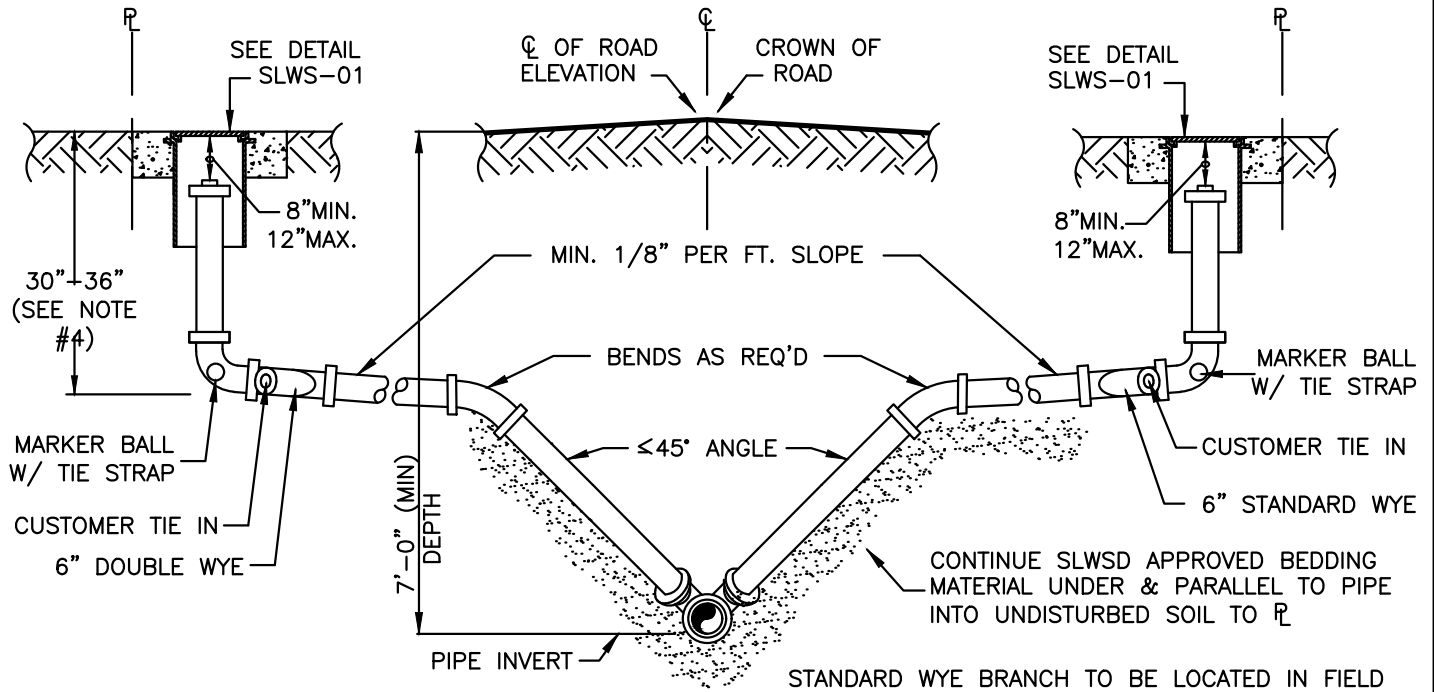


**DOUBLE SERVICE
TYPICAL**

**SINGLE SERVICE
TYPICAL**



ELEVATION

NOTES:

1. SLWSD APPROVED BEDDING MATERIAL SHALL BE USED FOR EXCAVATION BACK FILL.
2. ALL MATERIALS ARE TO BE PER SLWSD APPROVED QUALIFIED PRODUCT LIST.
3. LOCATE MARKER BALL WITH TIE STRAPS TO BE ATTACHED TO 6" ELBOW.
4. THE ENGINEER OF RECORD SHALL ENSURE THAT THE PROPOSED PLUMBING STUB-OUT ELEVATION FOR EACH BUILDING WILL ALLOW FOR A GRAVITY CONNECTION TO THE SANITARY SEWER LATERAL WITH THE REQUIRED SLOPE. HORIZONTAL AND VERTICAL SEPARATION SHALL BE IN ACCORDANCE WITH THE SLWSD STANDARDS (SEE SLWG-04).



**MINIMUM CONSTRUCTION STANDARDS FOR
ST. LUCIE WEST SERVICES DISTRICT
450 SW UTILITY DRIVE,
PORT SAINT LUCIE, FL 34986
PHONE: (772) 340-0220**

**SANITARY SEWER LATERAL
(DEEP)**

DETAIL: SLWS-03

DATE: 03/2020

SCALE: N.T.S.

SHEET: 1 OF 1