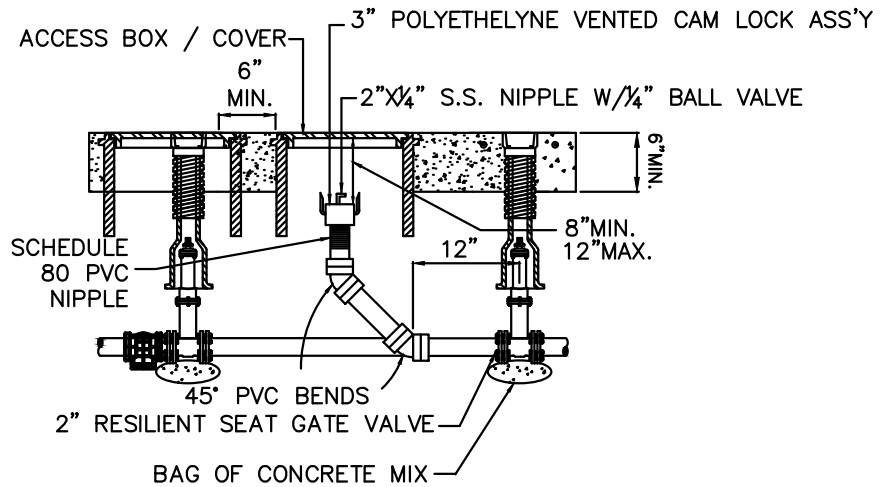


**PUMP STATION PLAN VIEW**



**PUMPOUT CONNECTION**  
**SECTION A-A**

NOTES:

1. ALL PIPING FOR VALVE AND PUMPOUT CONNECTION ASSEMBLY SHALL BE SCHEDULE 80 P.V.C.
2. CONCRETE PAD TO BE 6" FROM OUTSIDE OF ACCESS BOX / COVER AND VALVES.
3. CONTROL MOUNTING BRACKET SHALL BE FIELD INSTALLED AND LOCATED IN ALIGNMENT WITH PEDESTAL.



MINIMUM CONSTRUCTION STANDARDS FOR  
ST. LUCIE WEST SERVICES DISTRICT  
450 SW UTILITY DRIVE,  
PORT SAINT LUCIE, FL 34986  
PHONE: (772) 340-0220

**2HP DUPLEX  
COMMERCIAL GRINDER SYSTEM**

<b>DETAIL: SLWS-15B</b>
<b>DATE: 03/2020</b>
<b>SCALE: N.T.S.</b>
<b>SHEET: 2 OF 2</b>